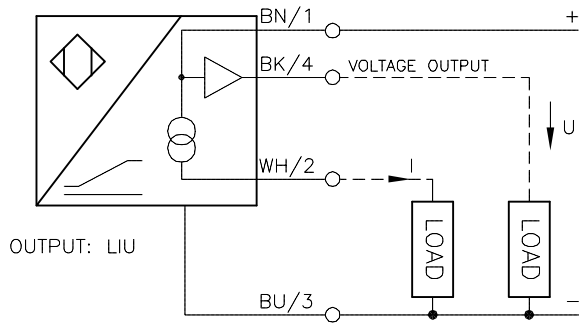
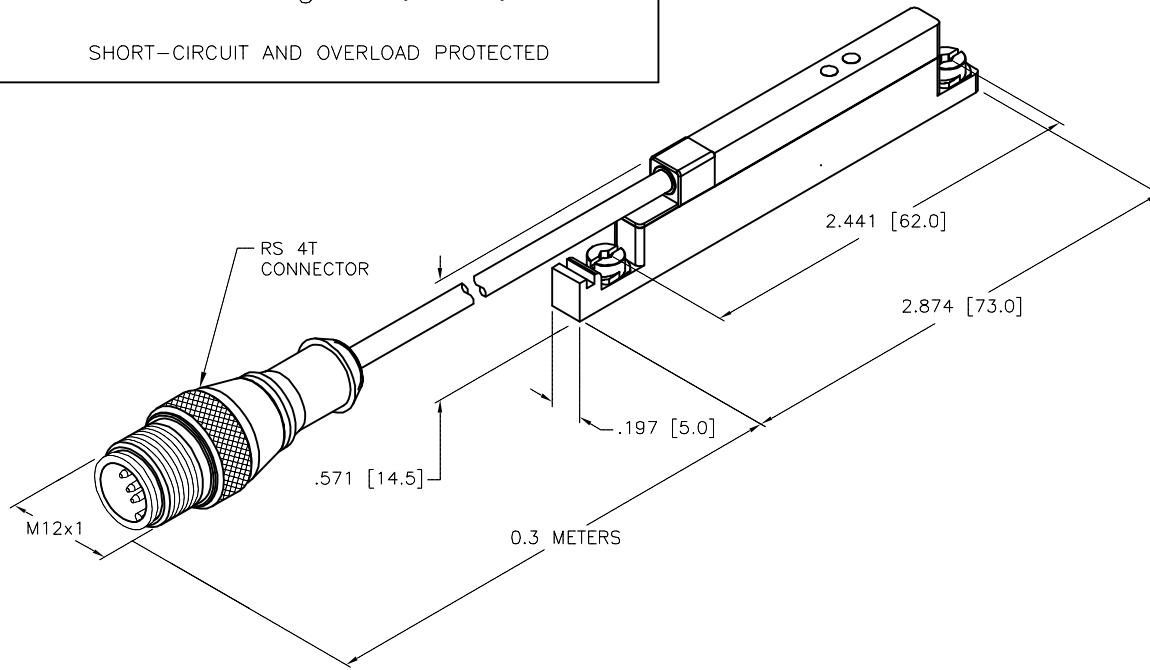


WIRING DIAGRAM



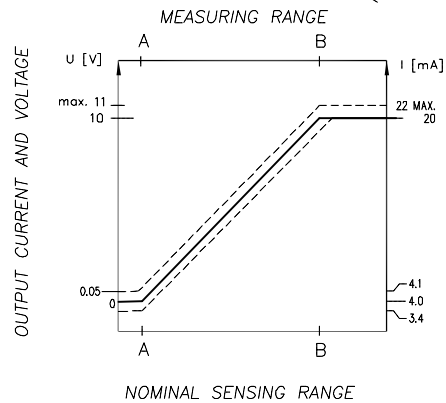
OUTPUT: LIU

SHORT-CIRCUIT AND OVERLOAD PROTECTED



SPECIFICATIONS

MEASURING RANGE [A-B]	45mm
REPEATABILITY	≤0.1% of the [A-B] Measurement Range
REPRODUCIBILITY	≤45 μm
LINEAR DEVIATION	≤1% of FULL SCALE
TEMPERATURE DRIFT	≤±0.006%/K
AMBIENT TEMPERATURE	-25°C to +70°C (-13°F to +158°F)
OPERATING VOLTAGE	15-30 VDC
RESIDUAL RIPPLE	≤10%
NO-LOAD CURRENT	≤15 mA
RATED INSULATION VOLTAGE	≤0.5 kV
SHORT-CIRCUIT PROTECTION	YES
WIRE BREAKAGE PROTECTION	INCORPORATED
REVERSE POLARITY PROTECTION	INCORPORATED
OUTPUT FUNCTION	4-WIRE, ANALOG
VOLTAGE OUTPUT	0-10 V
CURRENT OUTPUT	4-20 mA
LOAD RESISTANCE VOLTAGE OUTPUT	≥ 4.7 kΩ
LOAD RESISTANCE CURRENT OUTPUT	≤ 4.7 kΩ
OUTPUT RECOVERY TIME	≤ 15 ms
HOUSING MATERIAL	PLASTIC, PA12-GF30
ACTIVE FACE MATERIAL	PLASTIC, PA12-GF30
VIBRATION	55 Hz, 1 mm AMPLITUDE (IN ALL 3 PLANES)
SHOCK	30 g, 11 ms
DEGREE OF PROTECTION	IP67
MEASURING RANGE DISPLAY	LED, YELLOW
EXCESS GAIN INDICATION	LED, GREEN



SOURCE DRAWING - FOR REFERENCE ONLY

RELATED DOCUMENTS 1. 2. 3. 4.	3RD ANGLE PROJECTION 	THIS DRAWING IS CONFIDENTIAL AND THE PROPERTY OF TURCK INC. USE OF THIS DOCUMENT WITHOUT WRITTEN PERMISSION IS PROHIBITED.		3000 CAMPUS DRIVE MINNEAPOLIS, MN 55441 1-800-544-7769 (763) 553-7300 (763) 553-0708 fax www.turck.us	
	MATERIAL	DRFT RDS DSGN	DATE 09/02/08 SCALE 1=1.0	DESCRIPTION WIM45-UNTL-LIU5X2-0.3M-RS 4	
FINISH	ALL DIMENSIONS DISPLAYED ON THIS DRAWING ARE FOR REFERENCE ONLY CONTACT TURCK FOR MORE INFORMATION	UNIT OF MEASUREMENT INCH [MILLIMETER]		IDENTIFICATION NO. M1536621	REV B
DO NOT SCALE THIS DRAWING		FILE: M1536621		SHEET 1 OF 1	

B	UPDATE OPERATING V FROM 10-30 VDC TO 15-30 VDC	RWC	10/23/08	23490
REV	DESCRIPTION	BY	DATE	ECO NO.